

Work Holding Fixtures For

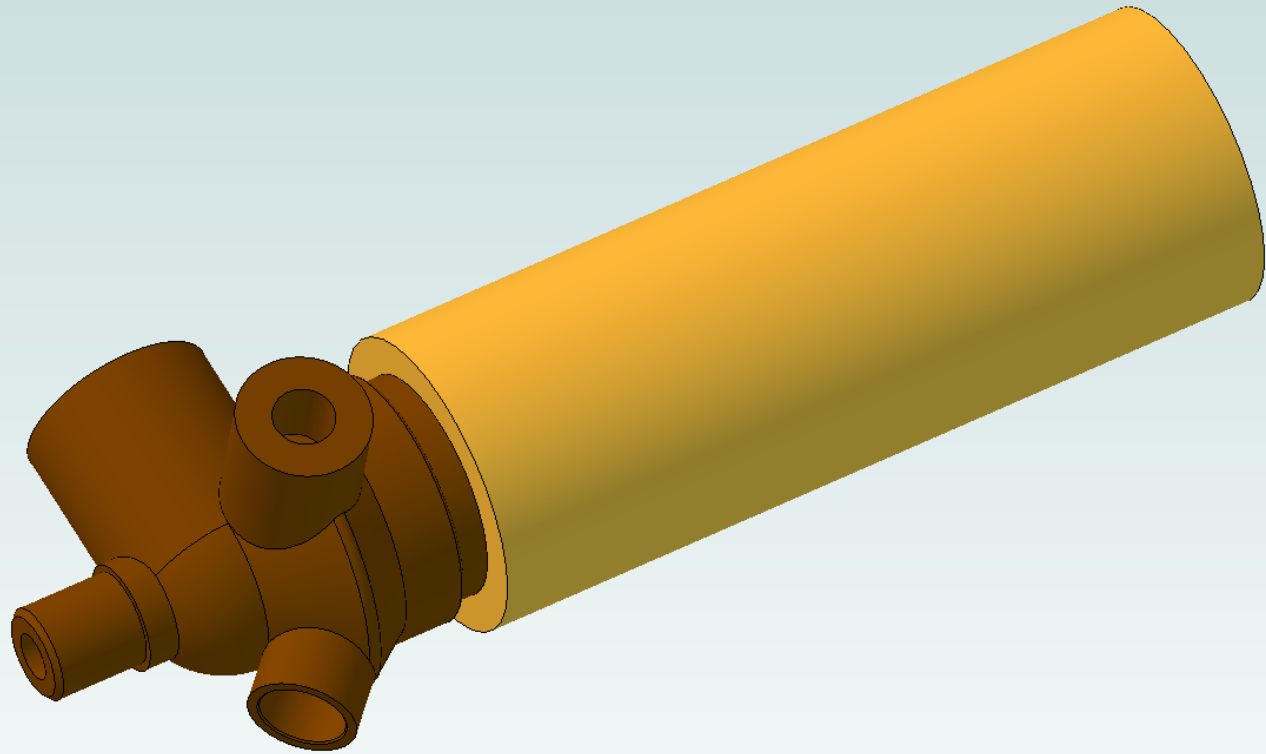


**1/4 Scale Lunkenheimer Mixer from Morrison & Marvin Casting
Designed by Bob Nawa © 2019 All Rights Reserved**

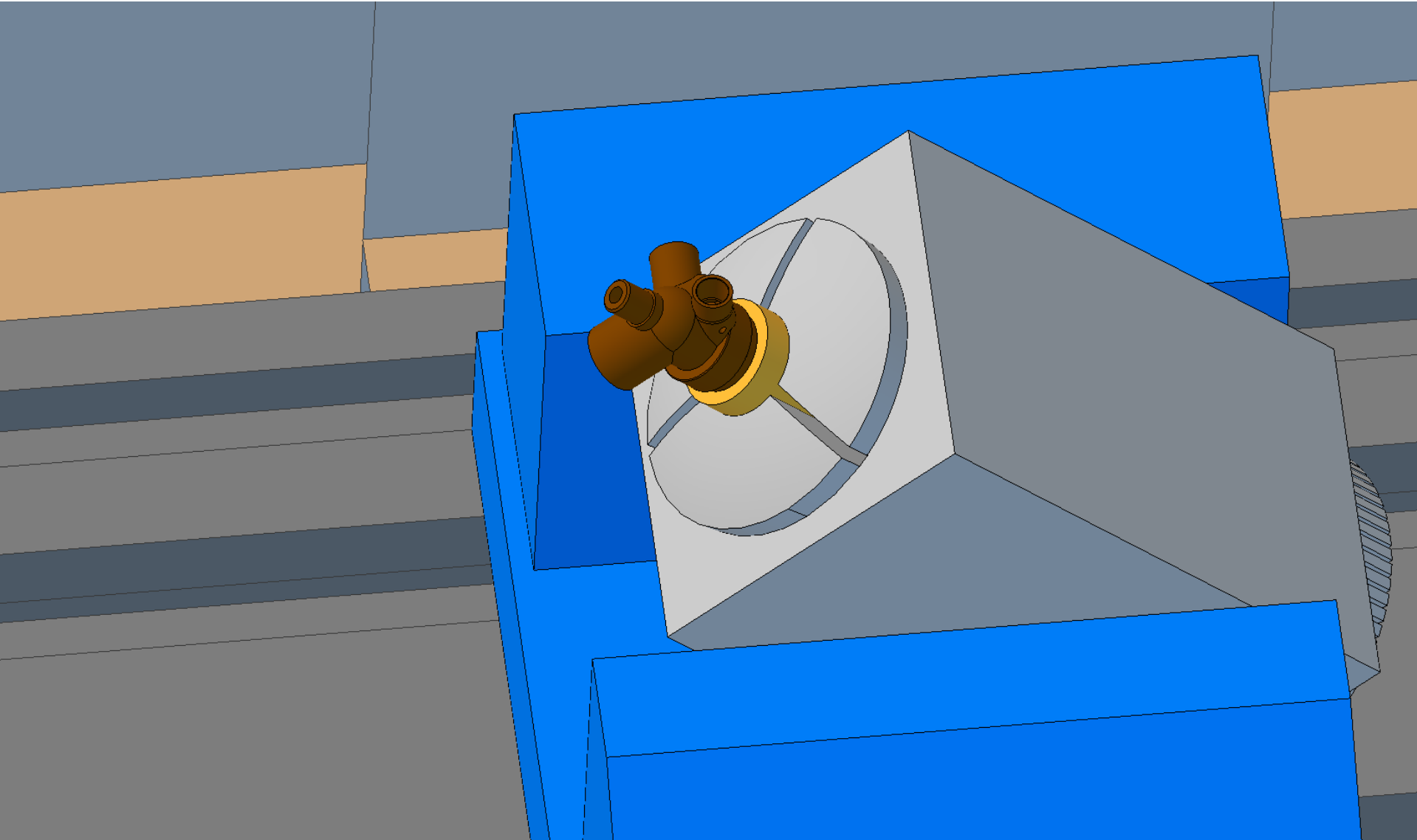
3D PDF Instructions

In order to use a 3D PDF you must first left click on the object page. At that point you may now rotate, shrink, and expand the object. It depends on the type of mouse you have. Hold down the right or left key and move mouse see what happens. In my case left key and movement rotates the item, right key and movement changes size. There are options at the top of the page.

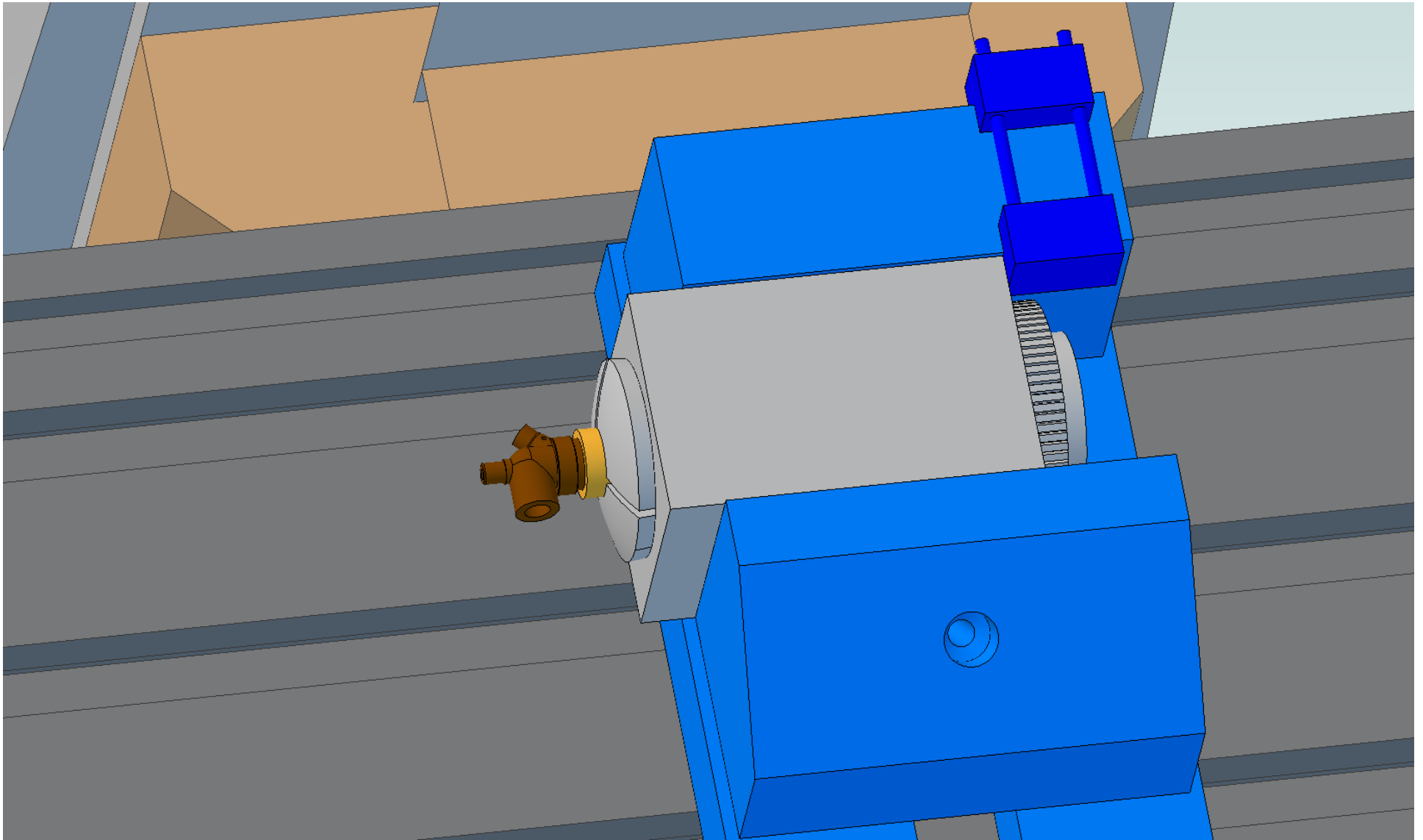
¼ Scale Lunkenheimer Mixer – Mixer and Holding Fixture



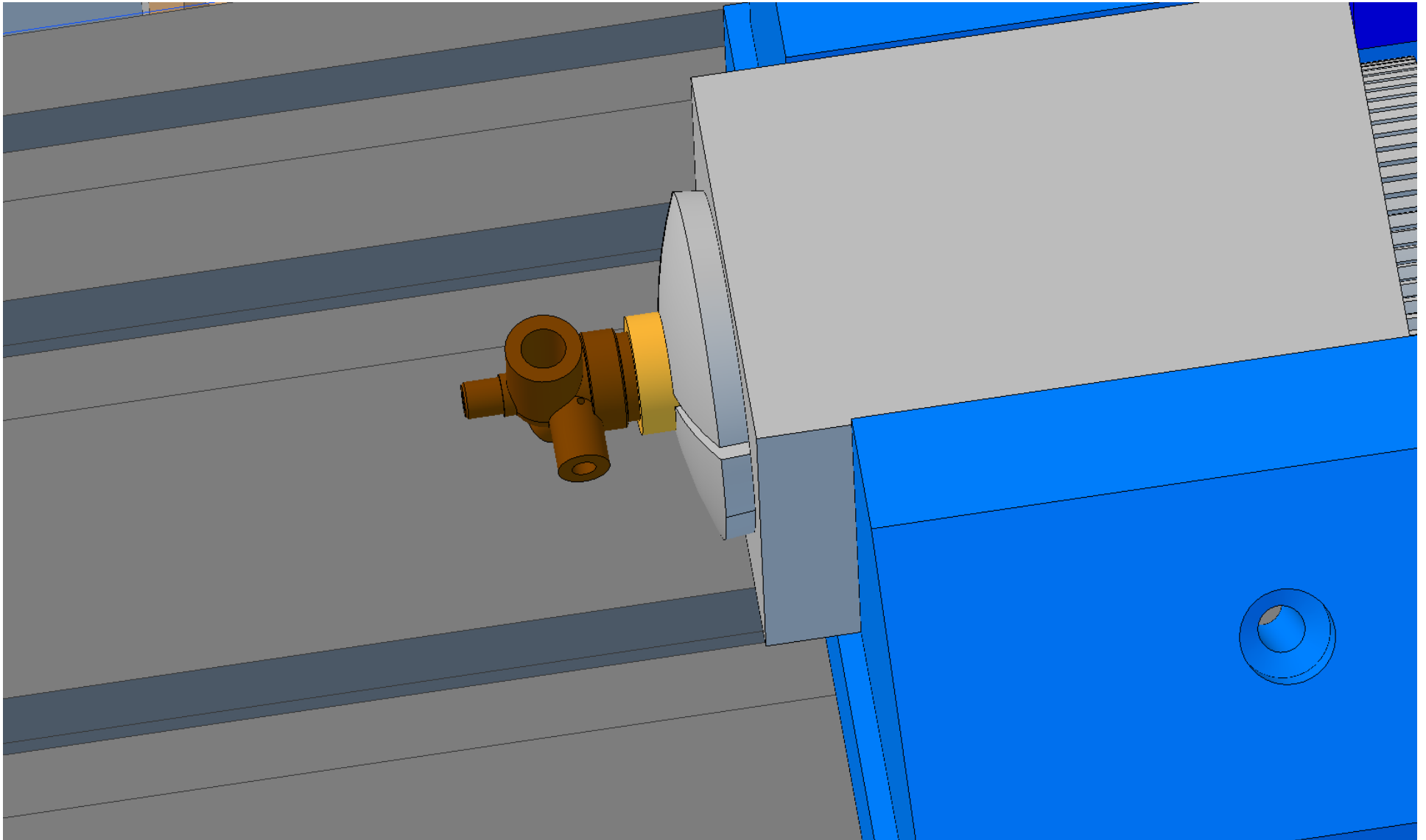
¼ Scale Lunkenheimer Mixer – Needle Hole and Jet Setup



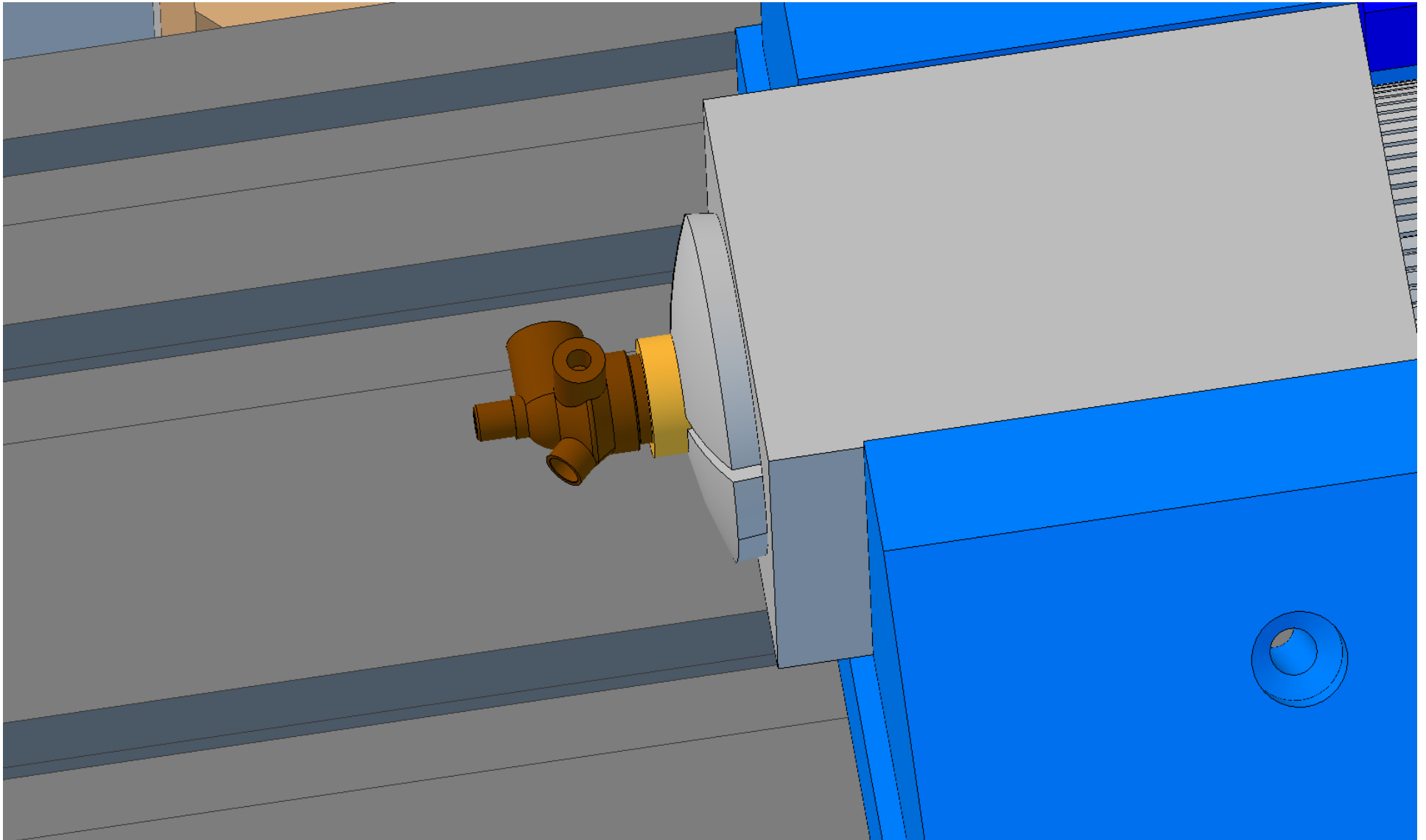
¼ Scale Lunkenheimer Mixer – Fuel Port A Setup



¼ Scale Lunkenheimer Mixer – Fuel Port D & Air Intake Setup



¼ Scale Lunkenheimer Mixer – Fuel Inlet Port Setup



¼ Scale Lunkenheimer Mixer – Valve Seat and Valve Stem Setup

