

Components For

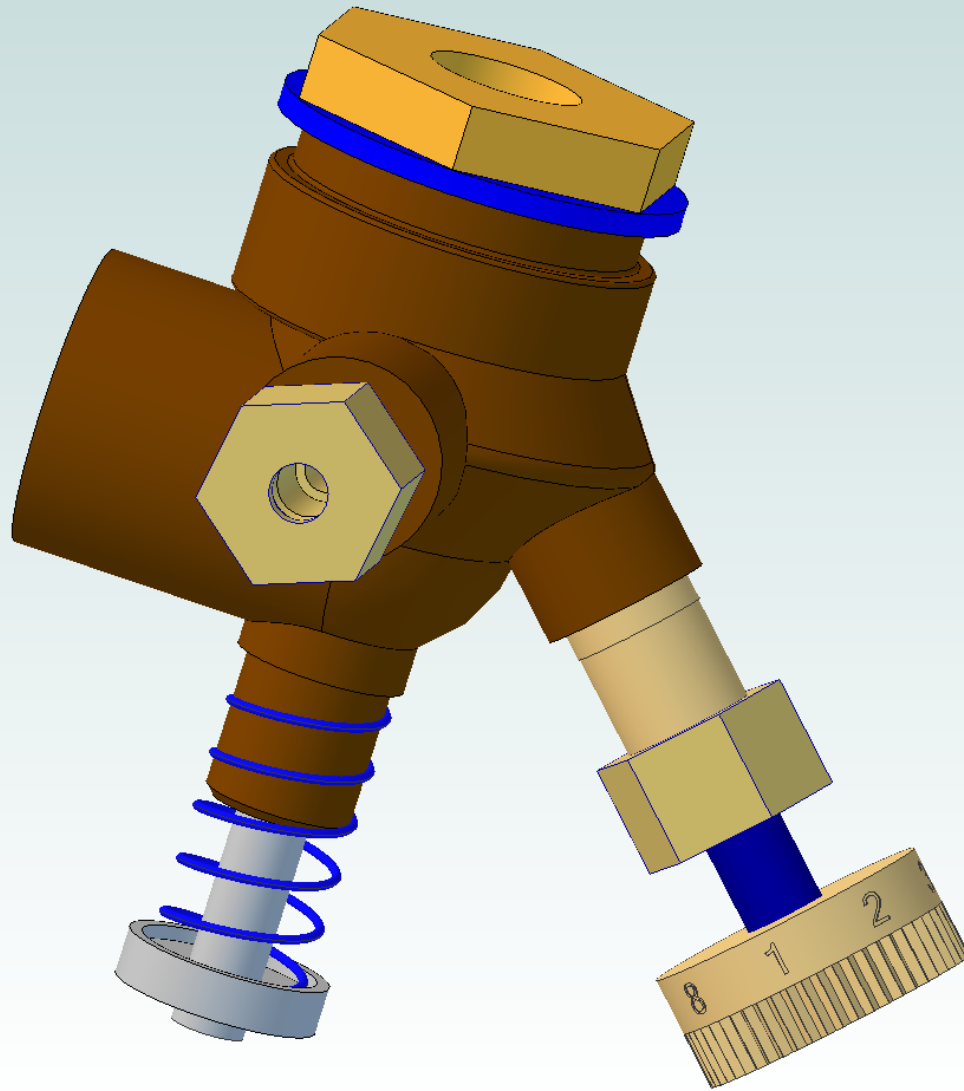


**1/4 Scale Lunkenheimer Mixer from Morrison & Marvin Casting
Designed by Bob Nawa © 2019 All Rights Reserved**

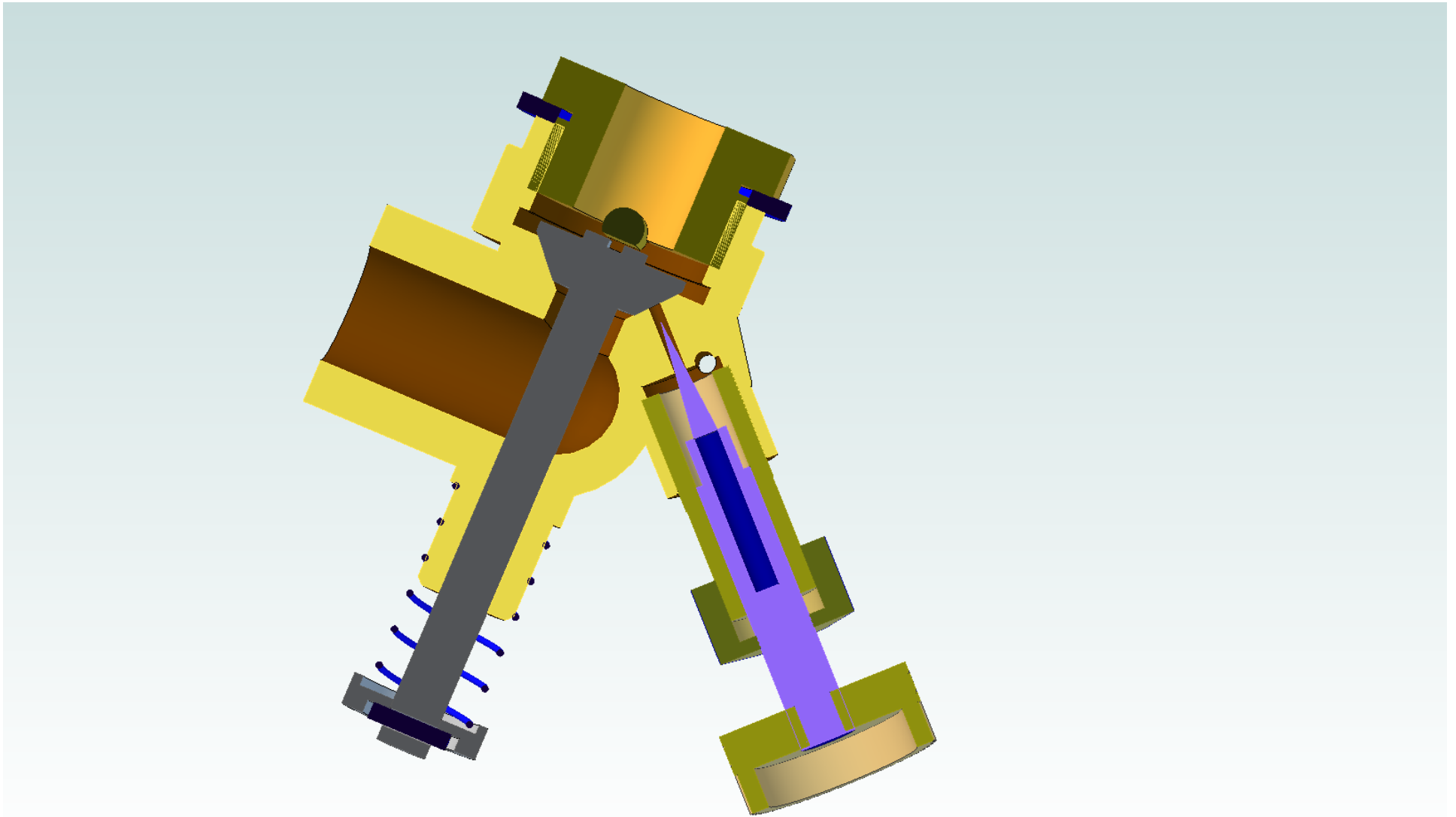
3D PDF Instructions

In order to use a 3D PDF you must first left click on the object page. At that point you may now rotate, shrink, and expand the object. It depends on the type of mouse you have. Hold down the right or left key and move mouse see what happens. In my case left key and movement rotates the item, right key and movement changes size. There are options at the top of the page.

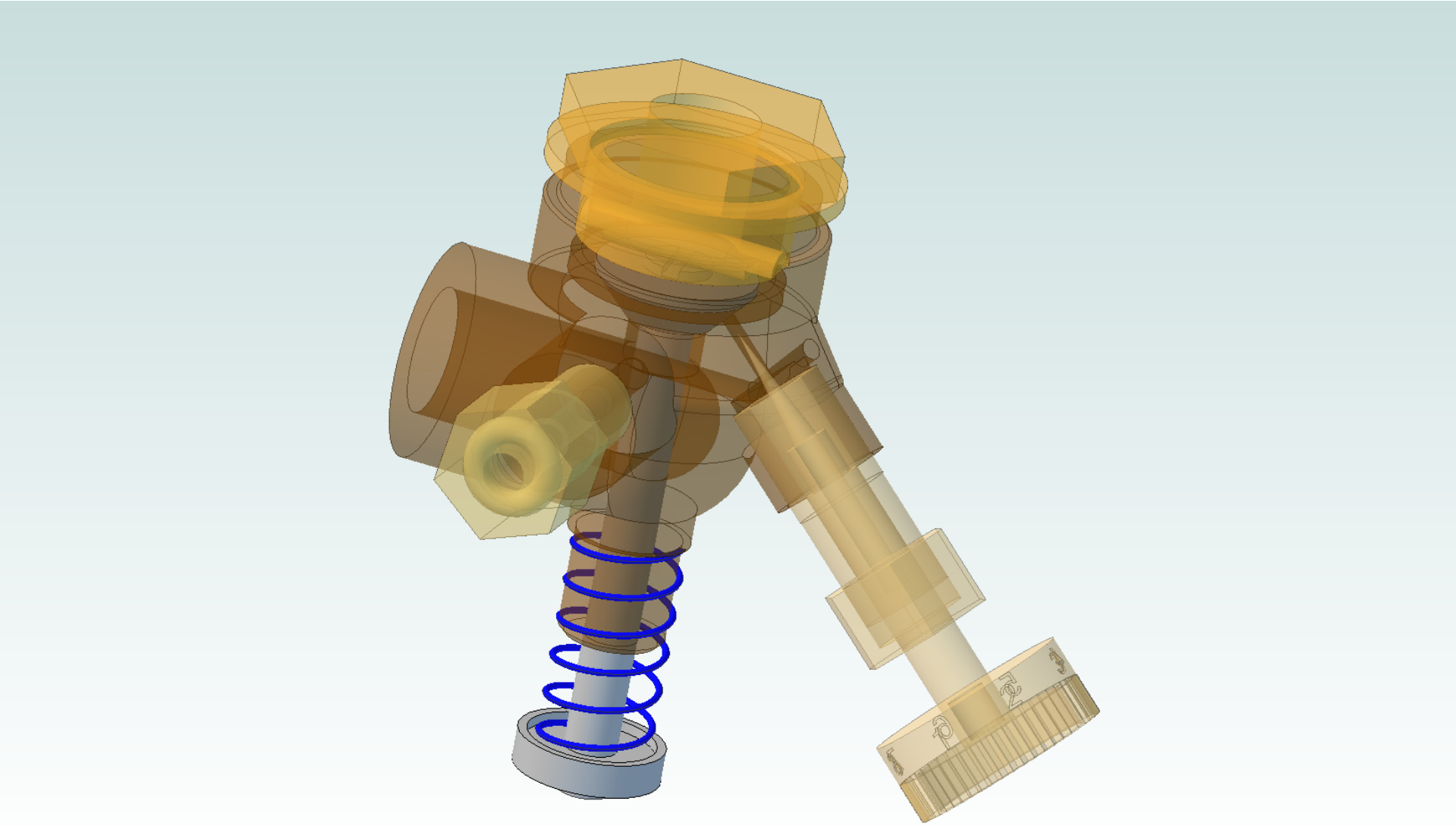
¼ Scale Lunkenheimer Mixer –Assembly



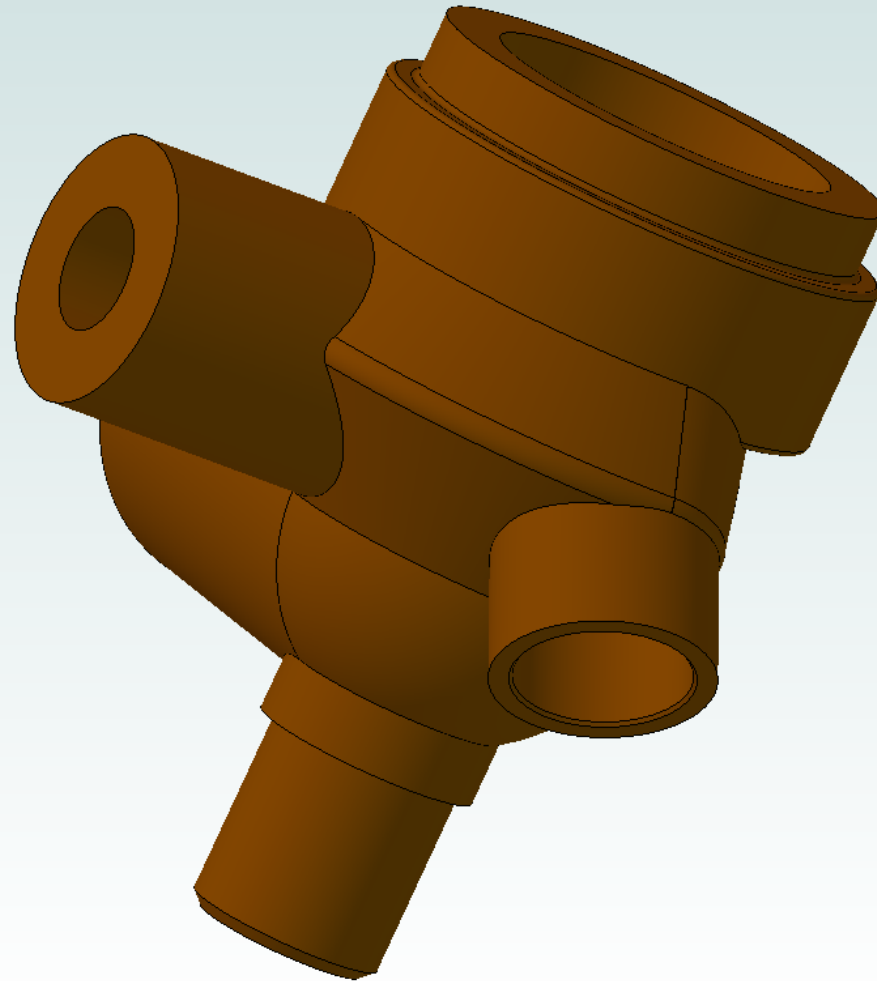
1/4 Scale Lunkenheimer Mixer –Assembly (Cutaway)



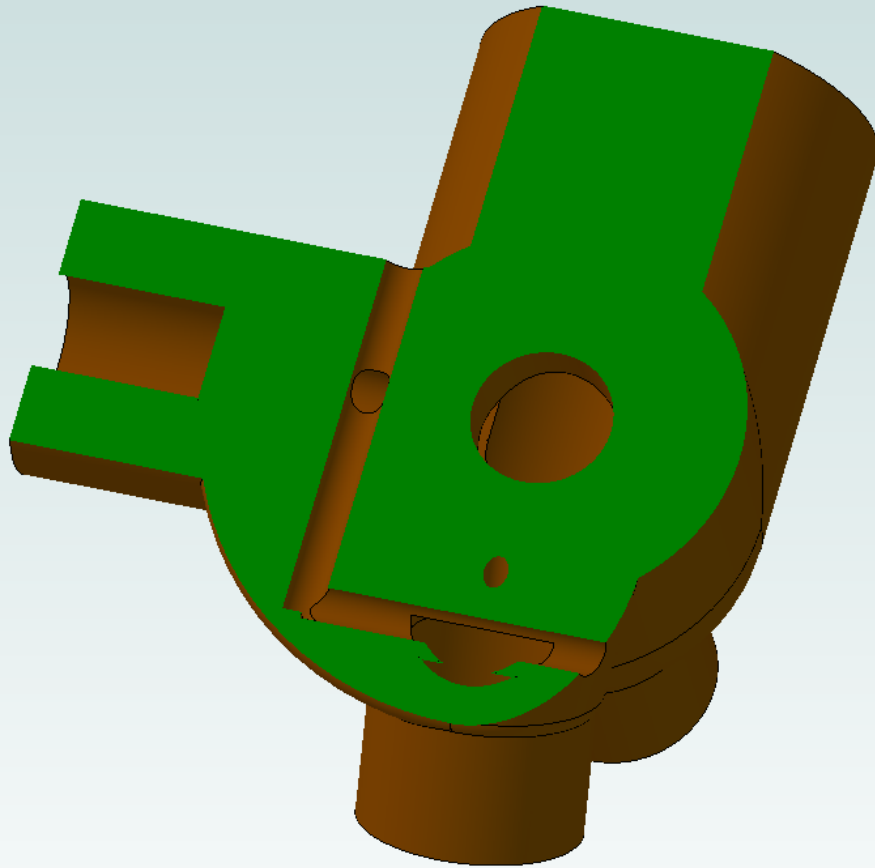
¼ Scale Lunkenheimer Mixer –Assembly (Shaded)



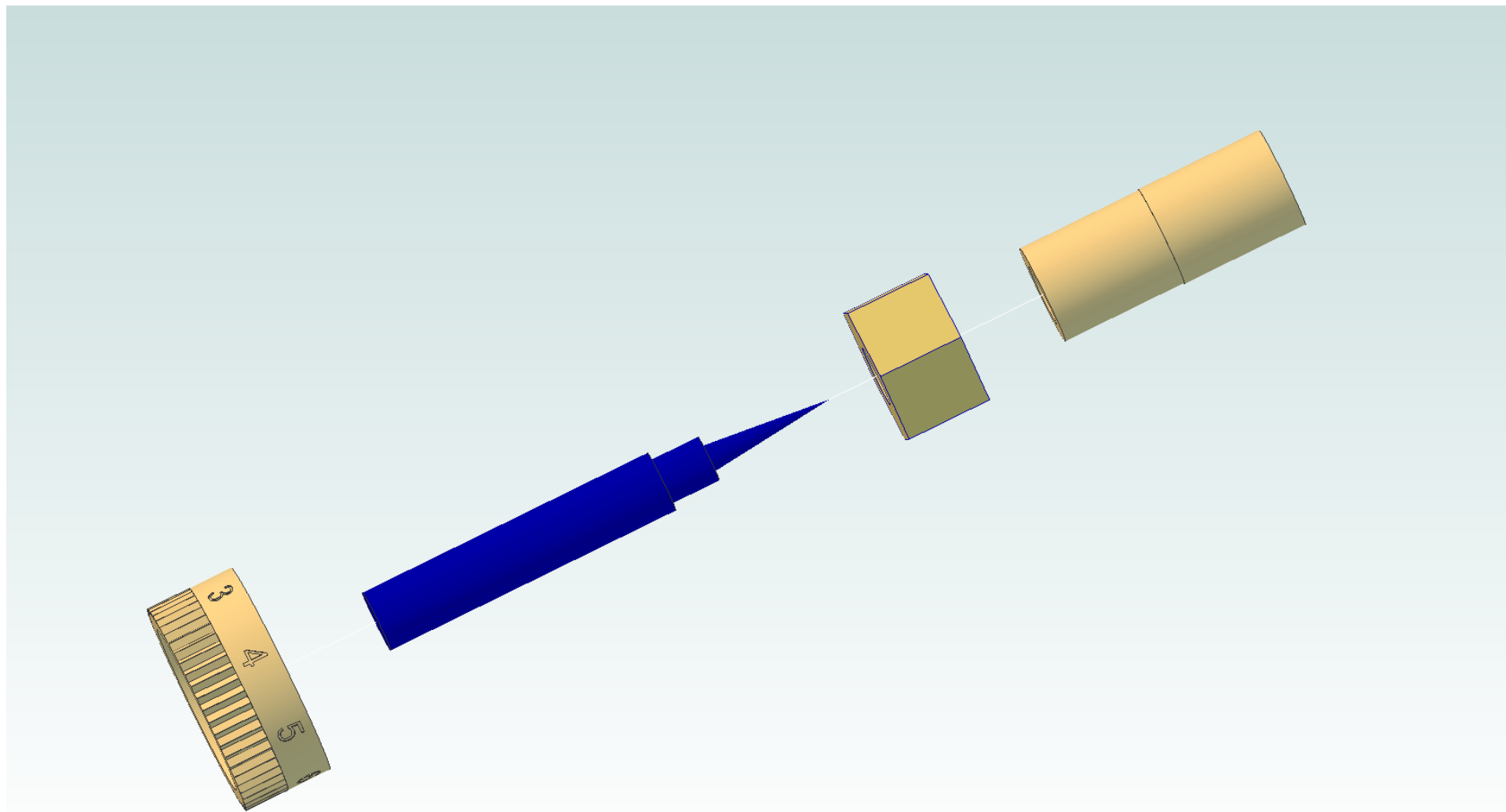
¼ Scale Lunkenheimer Mixer –Mixer Body



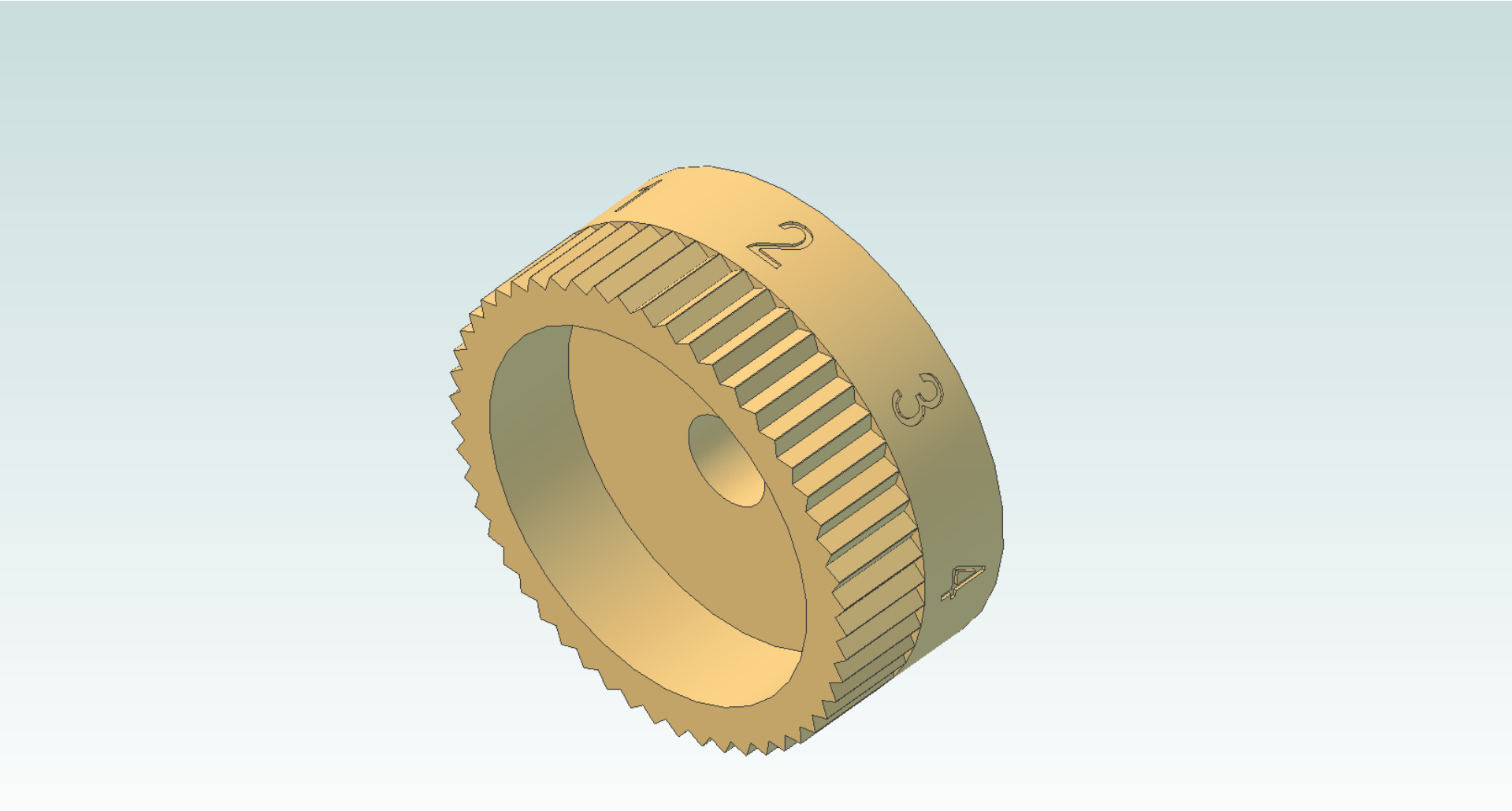
¼ Scale Lunkenheimer Mixer – Fuel Ports Cutaway



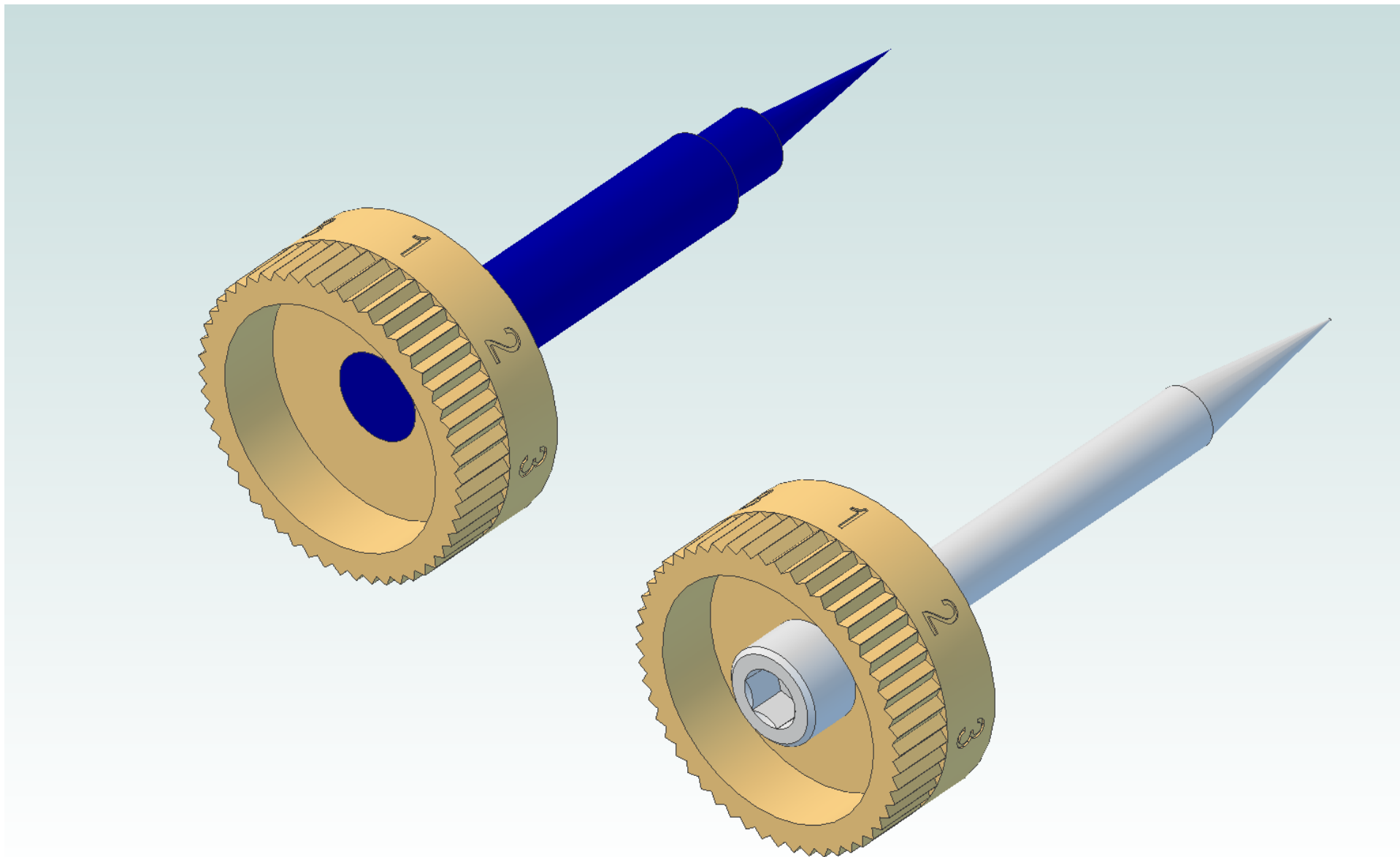
¼ Scale Lunkenheimer Mixer –Needle Holder Assembly Using a Needle



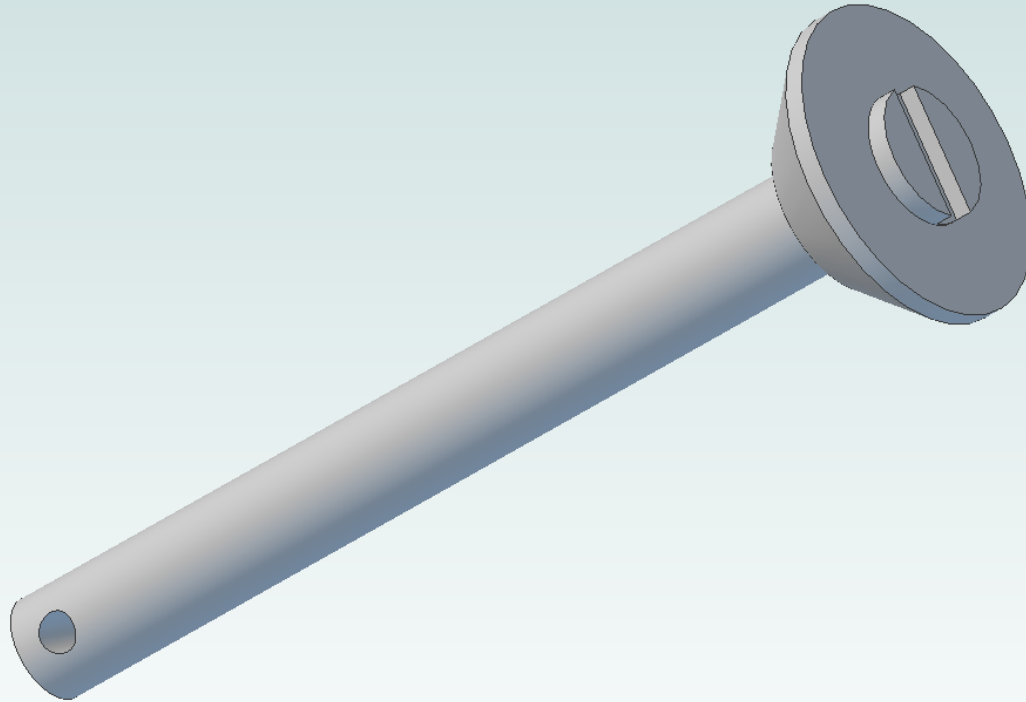
1/4 Scale Lunkenheimer Mixer – Needle Cap



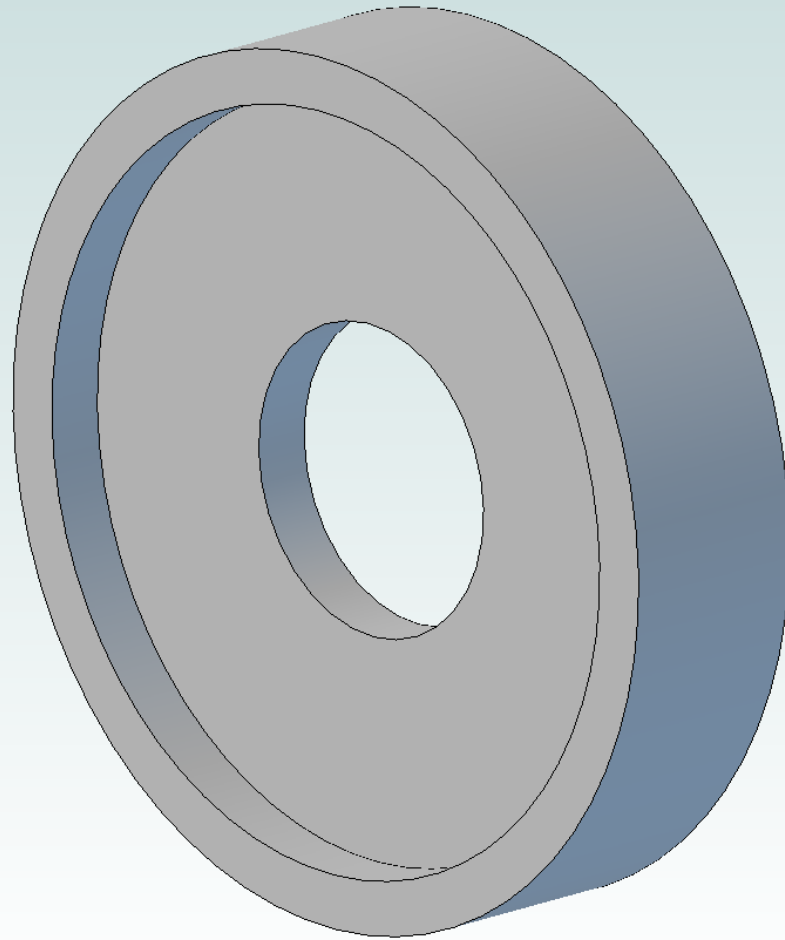
¼ Scale Lunkenheimer Mixer – Needle Cap Showing Both Custom and 0-80 Needles



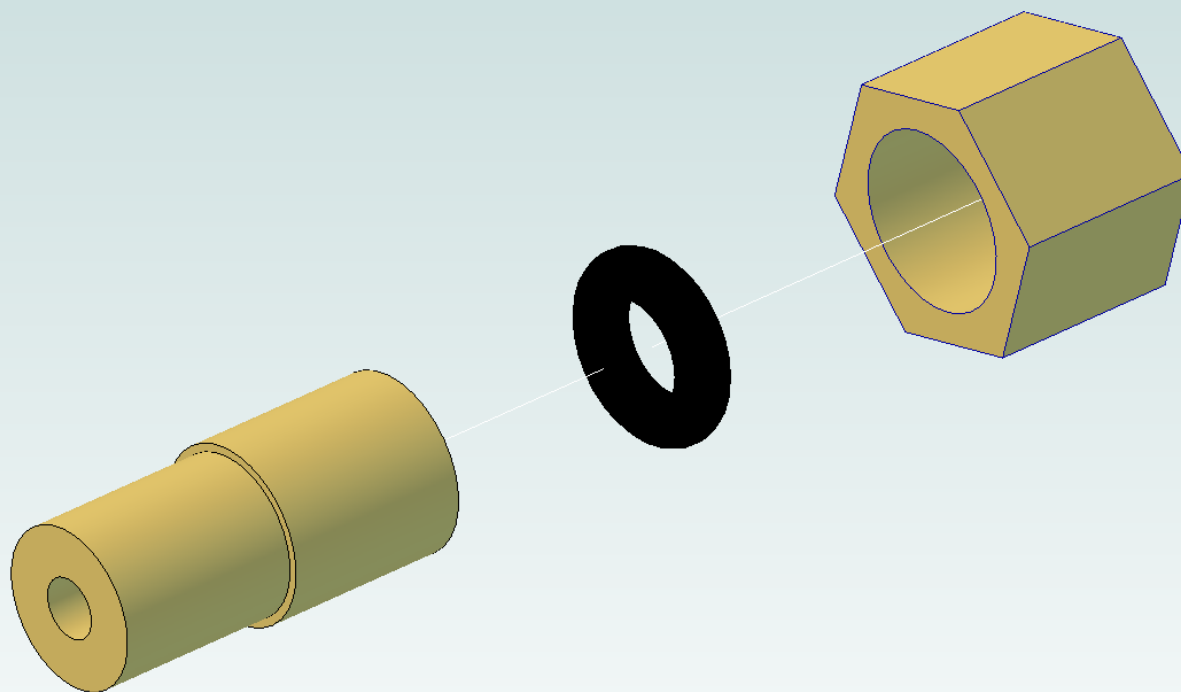
¼ Scale Lunkenheimer Mixer – Mixer Valve



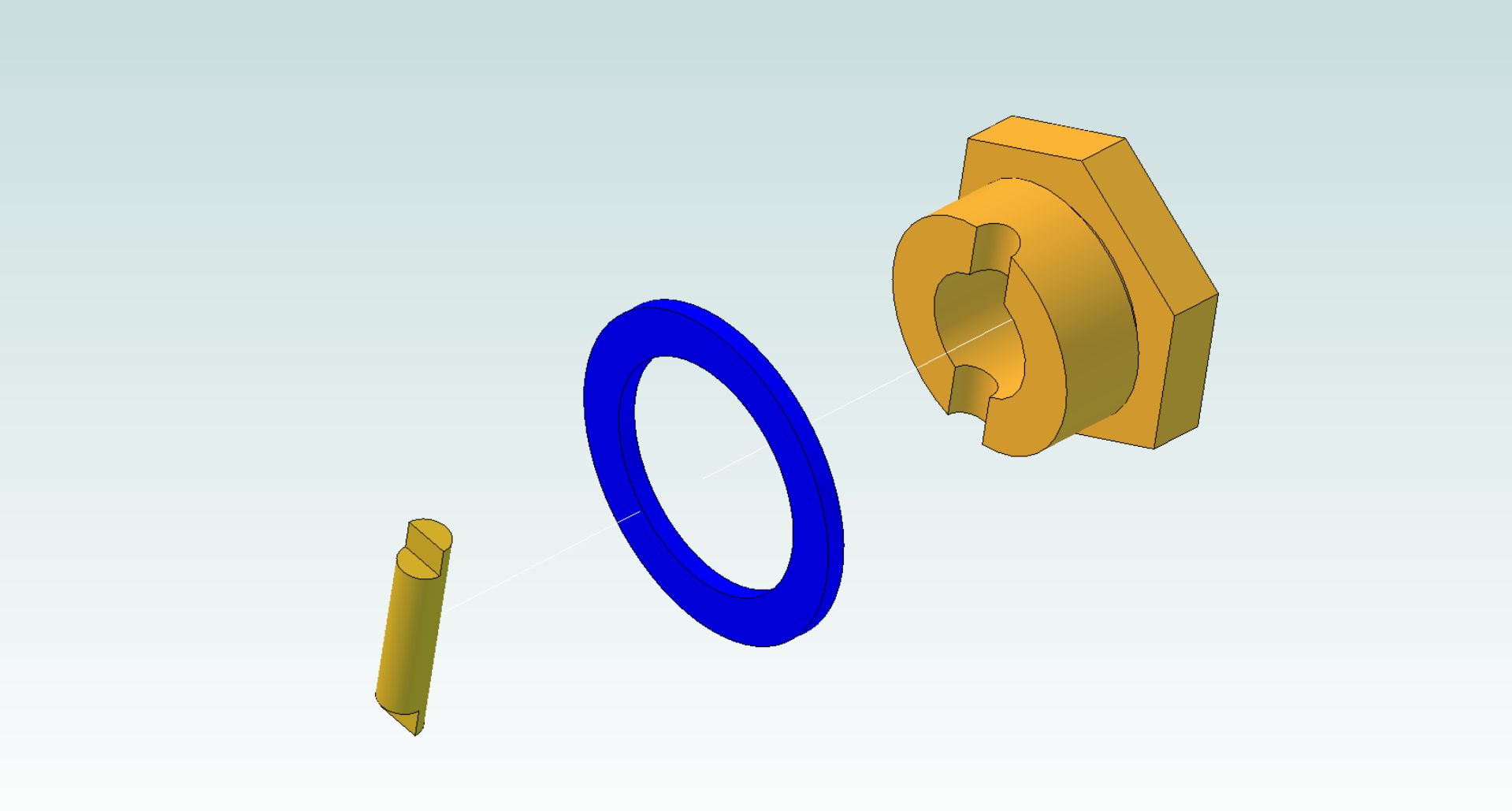
¼ Scale Lunkenheimer Mixer – Valve Spring Keeper



¼ Scale Lunkenheimer Mixer –Fuel Line Fitting Assembly



¼ Scale Lunkenheimer Mixer – Option 1 Cap



¼ Scale Lunkenheimer Mixer - Option 2 Cap

